

KANSAI SPECIAL

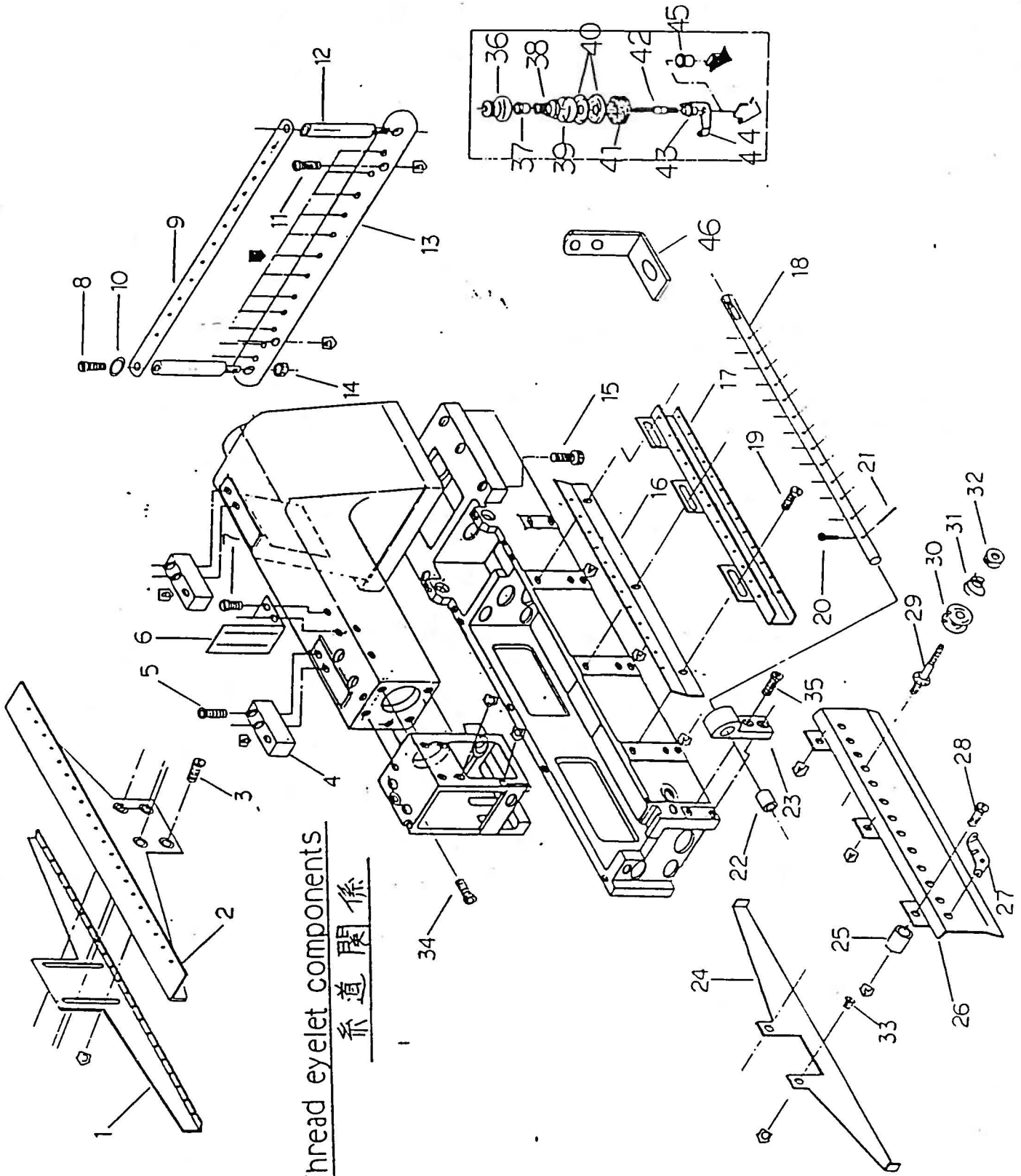
Industrial Sewing Machines

PARTS LIST

A-1100 LA

CONTENTS

1. THREAD EYELET COMPONENTS
2. BUSHINGS
3. HOUSING COMPONENTS
4. UPPER SHAFT
5. LOWER SHAFT
6. SPREADER COMPONENTS
7. FEED ROCKER
8. LOOPER COMPONENTS
9. NEEDLE SHAFT COMPONENTS
10. FOOT LIFTER MECHANISM
11. PRESSER COMPONENTS
12. NEEDLE GAUGE PARTS
13. TOP FEEDER
14. PRESSER FOOT
15. PULLER

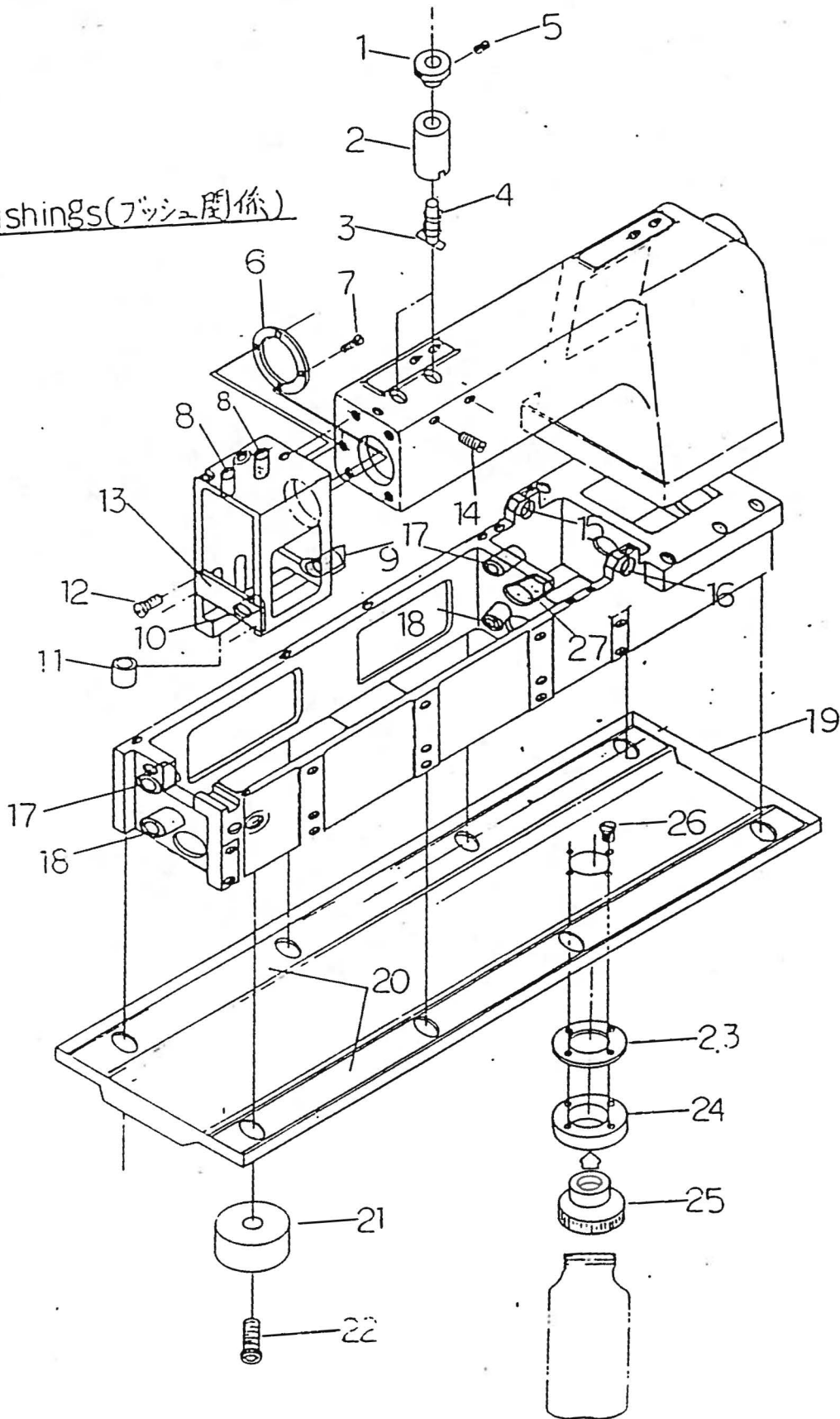


I. Thread eyelet components
糸道関係

REF. #	PART #	PART NAME	QT'Y
1	33-314	LOWER NEEDLE-THREAD GUIDE	1
2	33-313	UPPER NEEDLE-THREAD GUIDE	1
3	84-566	SCREW	2
4	33-450	TENSION BRACKET	2
5	87-173	SCREW	4
6	33-315	TOP NEEDLE-THREAD GUIDE	1
7	84-762	SCREW	2
8	84-763	SCREW	2
9	41-442	TENSION ASS'Y TTHREAD GUIDE	1
10	75-458	WASHER	2
11	84-763	SCREW	2
12	41-424	TENSION ASS'Y BRACKET BAR	2
13	33-451	TENSION ASS'Y BOTTOM PLATE	1
14	86-411	NUT	2
15	87-184	SCREW	6
16	33-356	UPPER LOOPER-THREAD GUIDE	1
17	33-292	LOWER LOOPER-THREAD GUIDE	1
18	33-294	LOOPER-THREAD TAKE-UP ROD	1
19	84-812	SCREW	3
20	84-161	SCREW	13
21	33-299	LOOPER-THREAD TAKE-UP PIN	13
22	33-374	LOOPER-THREAD TAKE-UP ROD BUSHING	2
23	33-293	LOOPER-THREAD TAKE-UP ROD BRACKET	2
24	33-462	NEEDLE-THREAD GUIDE PLATE	1
25	33-354	LOOPER-THREAD TENSION PLATE SPACER	3
26	33-291	LOOPER-THREAD TENSION PLATE	1
27	34-152	LOOPER TENSION THREAD EYELET	13
28	84-765	SCREW	3
29	34-203	LOOPER-THREAD TENSION POST	13
30	34-156	LOOPER-THREAD TENSION DISC	13
31	32-812	LOOPER-THREAD TENSION SPRING	13
32	34-253	LOOPER-THREAD TENSION ADJUSTING KNOB	13
33	84-571	SCREW	2
34	87-601	SCREW	5
35	87-171	SCREW	4

REF. #	PART #	PART NAME	QTY
36	41-101	NEEDLE-THREAD TENSION ADJUSTING KNOB	13
37	41-105	TENSION RATCHET	13
38	41-701	NEEDLE-THREAD TENSION SPRING	13
39	41-107	NEEDLE-THREAD TENSION BOTTOM CASE	13
40	41-111	NEEDLE-THREAD TENSION DISC	13
41	23-324	FELT DISC	13
42	41-172	NEEDLE-THREAD TENSION POST	13
43	41-131	NEEDLE-THREAD TENSION POST COLLAR A	13
44	41-115	NEEDLE-THREAD TENSION EYELET	13
45	41-132	NEEDLE-THREAD TENSION POST COLLAR B	13
46	33-263	NEEDLE-THREAD TENSION THREAD GUIDE	13

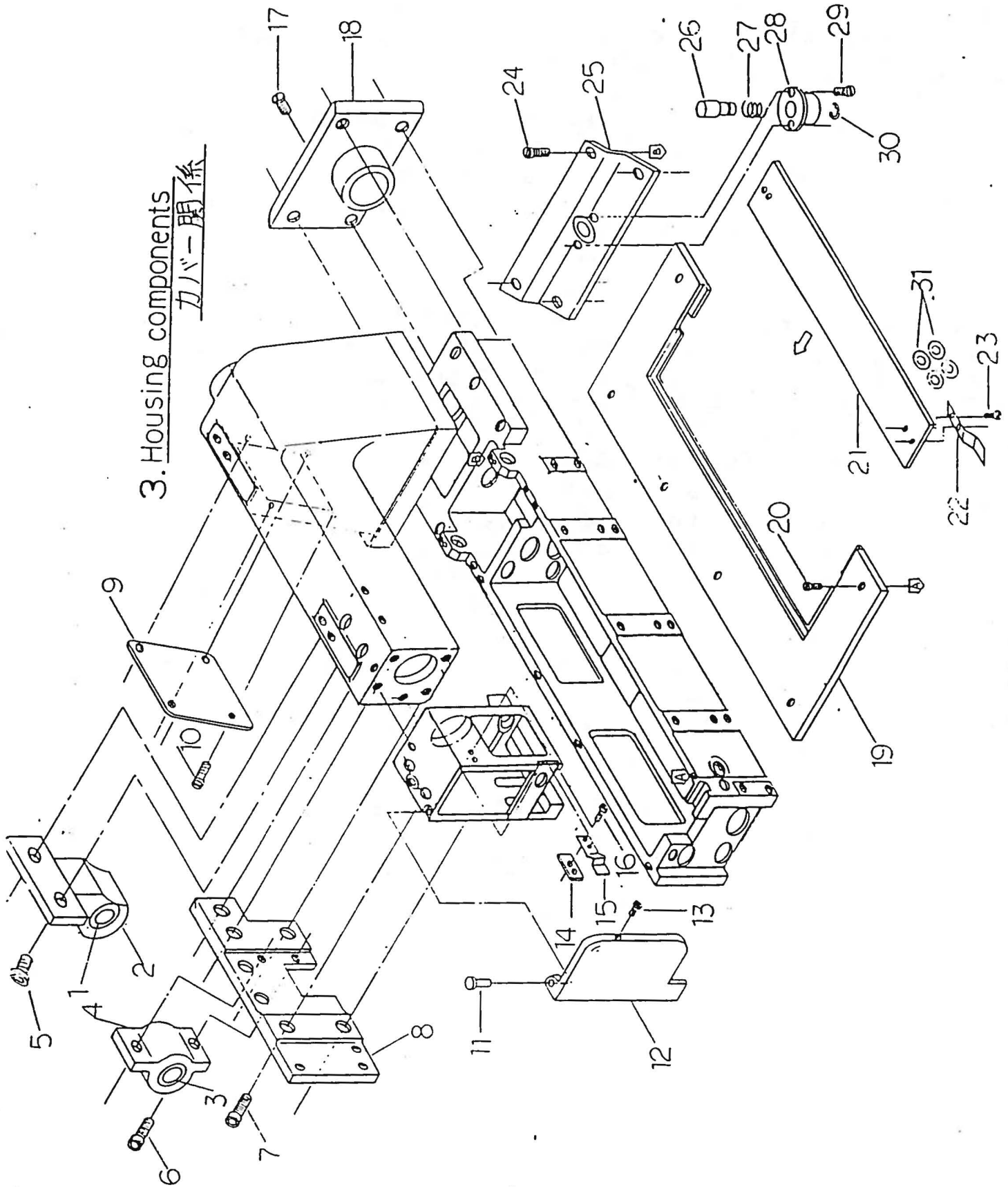
2. Bushings (フッシュ関係)



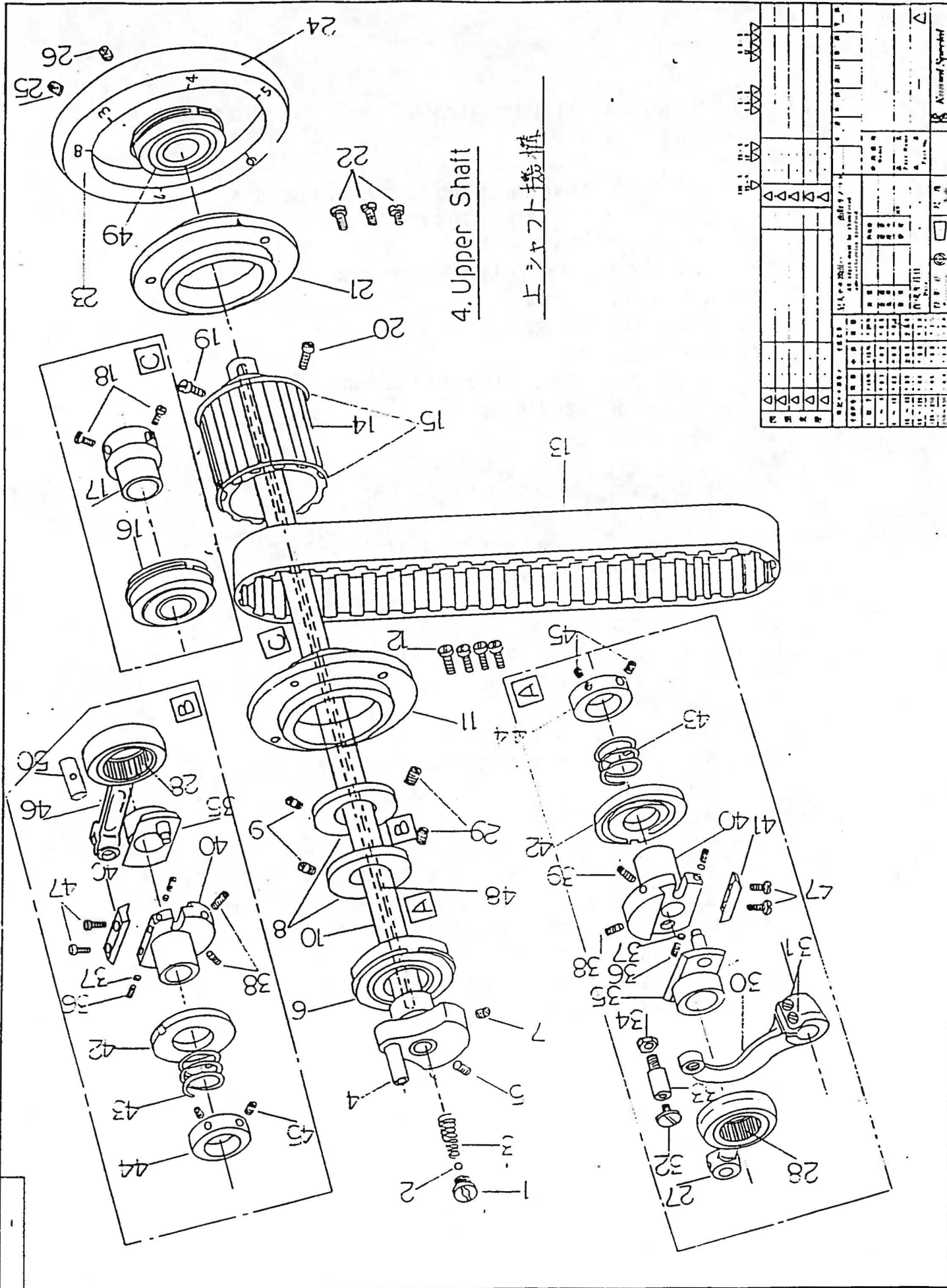
REF. #	PART #	PART NAME	QTY
1	33-940	UPPER FEED LENGTH ADJUSTING KNOB	2
2	34-011	UPPER FEED LENGTH ADJUSTING BUSHING	2
3	32-201	UPPER FEED LENGTH ADJUSTING STUD	2
4	32-810	UPPER FEED LENGTH ADJUSTING STUD SPRING B	2
5	84-719	SCREW	2
6	33-286	COLLAR	1
7	84-374	SCREW	4
8	33-368	PRESSER SHAFT BUSHING A	2
9	33-366	NEEDLE SHAFT FRAME BUSHING A	1
10	33-367	NEEDLE SHAFT FRAME BUSHING B	1
11	33-369	PRESSER SHAFT BUSHING B	2
12	84-566	SCREW	4
13	33-213	BEARING HOUSING	1
14	84-566	SCREW	2
15	81-109	ROCKER BUSHING A	1
16	81-108	ROCKER BUSHING B	1
17	33-436	FEEDER SHAFT BUSHING	2
18	33-364	FEEDER DRIVE SHAFT BUSHING	2
19	33-377	OIL PAN	1
20	33-435	OIL PAN GASKET	2
21	33-382	FEET	8
22	87-611	SCREW	8
23	33-379	OIL DRIP CAN GASKET	1
24	33-378	OIL DRIP CAN MOUNT	1
25	33-380	OIL DRIP CAN TOP	1
26	84-564	SCREW	1
27	33-362	LOWER MAIN SHAFT BUSHING	1

3. Housing components

カバー関係



REF. #	PART #	PART NAME	QTY
1	33-371	PRESSER LIFTING SHAFT MOUNT BUSHING A	1
2	33-357	PRESSER LIFTING SHAFT MOUNT A	1
3	33-372	PRESSER LIFTING SHAFT MOUNT BUSHING B	1
4	33-358	PRESSER LIFTING SHAFT MOUNT B	1
5	87-601	SCREW	2
6	87-101	SCREW	2
7	87-601	SCREW	5
8	33-214	UPPER PULLER MOUNTING PLATE	1
9	33-376	BACK ACCESS PLATE	1
10	84-566	SCREW	10
11	33-462	HEAD COVER HINGE PIN	2
12	33-212	HEAD COVER	1
13	84-563	SCREW	1
14	33-806	HEAD COVER SPRING CLIP MOUNT PLATE	1
15	32-876	HEAD COVER SPRING CLIP	1
16	84-664	SCREW	2
17	87-173	SCREW	4
18	33-303	LOWER MAIN SHAFT ACCESS PLATE	1
19	33-251	CLOTH PLATE	1
20	84-763	SCREW	6
21	33-252	FRONT SLIDE PLATE	1
22	32-877	FRONT SLIDE PLATE SPRING CLIP	2
23	84-164	SCREW	4
24	84-763	SCREW	4
25	33-337	LOWER FEED LENGTH ECCENTRIC COVER	1
26	33-458	LOWER FEED LENGTH ADJUSTMENT STUD	1
27	32-805	LOWER FEED LENGTH ADJUSTMENT STUD SPRING	1
28	34-012	LOWER FEED LENGTH ADJUSTMENT STUD HOLDER	1
29	84-571	SCREW	2
30	34-320	4mm E-CLIP	1
31	75-457	WASHER	8



4. Upper Shaft

上シャフト機構

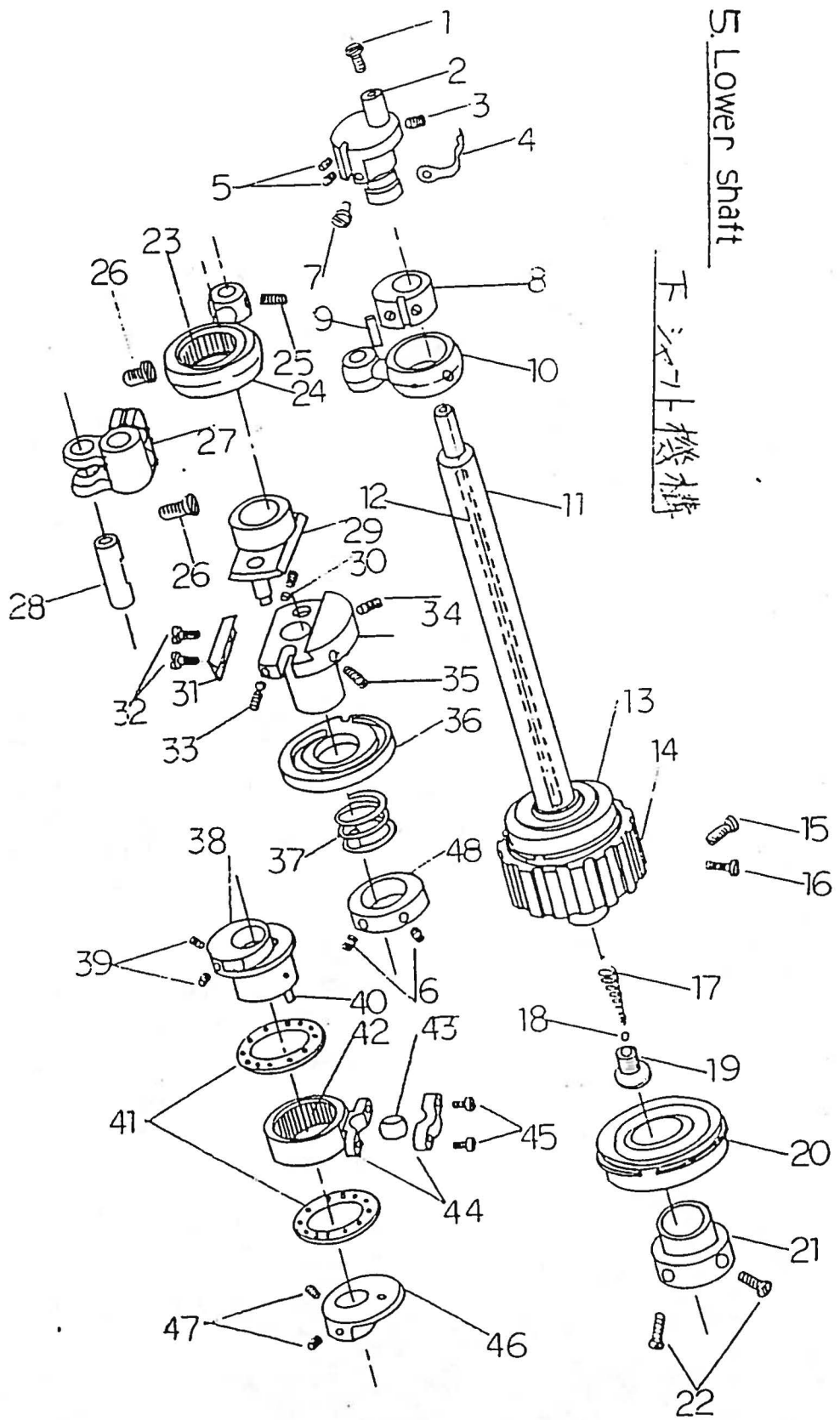
品名	上シャフト機構	品番	13
規格		寸法	
材質		重量	
製造		検査	
組立		保管	
出荷		廃棄	
備考			

REF. #	PART #	PART NAME	QTY
1	34-204	OIL CAP	1
2	34-351	OIL CAP BALL VALVE	1
3	32-808	OIL CAP SPRING (SMALL)	1
4	33-225	NEEDLE SHAFT CRANK CAM	1
5	83-151	SCREW	1
6	34-826	BALL BEARING (G205ZZNR)	1
7	83-152	SCREW	1
8	33-952	COLLAR B	2
9	84-521	SCREW	2
10	33-215	UPPER MAIN SHAFT	1
11	33-300	MIDDLE FLANGE	1
12	84-566	SCREW	4
13	33-456	TIMING BELT	2
14	33-453	UPPER TIMING PULLEY	1
15	33-457	UPPER PULLEY FLANGE SPRING	2
16	34-825	BALL BEARING (G204ZZNR)	1
17	33-302	BEARING COLLAR	1
18	84-718	SCREW	2
19	83-153	SCREW	1
20	83-154	SCREW	1
21	33-305	OUTER FLANGE	1
22	84-566	SCREW	4
23	33-455	STITCH LENGTH GUIDE	1
24	33-452	V - PULLEY	1
25	85-114	SCREW	1
26	83-158	SCREW	1
27	32-110	DRIVE ROD	1
28	34-808	NEEDLE BEARING	1
29	84-521	SCREW	2
30	33-316	NEEDLE SHAFT DRIVE LEVER	1
31	33-447	SCREW	2
32	83-081	SCREW	1
33	32-300	PIN	1
34	86-501	NUT	1
35	33-434	SLIDE ECCENTRIC	1

REF. #	PART #	PART NAME	QTY
36	84-521	SCREW	4
37	33-942	SCREW SEAT CUSHION	4
38	83-176	SCREW	3
39	83-175	SCREW	1
40	32-477	SLIDE ECCENTRIC BRACKET	2
41	32-476	SLIDE ECCENTRIC GUIDE	2
42	32-475	SLIDE ECCENTRIC ADJUSTMENT DISC	2
43	32-825	SLIDE ECCENTRIC ADJUSTMENT DISC SPRING	2
44	33-953	COLLAR C	2
45	85-111	SCREW	4
46	33-233	LIFTING SHAFT DRIVE ROD	1
47	84-566	SCREW	4
48	32-961	UPPER MAIN SHAFT OIL ROD	1
49	34-825	BALL BEARING (6204ZZNR)	1
50	32-226	FEED LIFTING CONNECTING PIN	1

5 Lower shaft

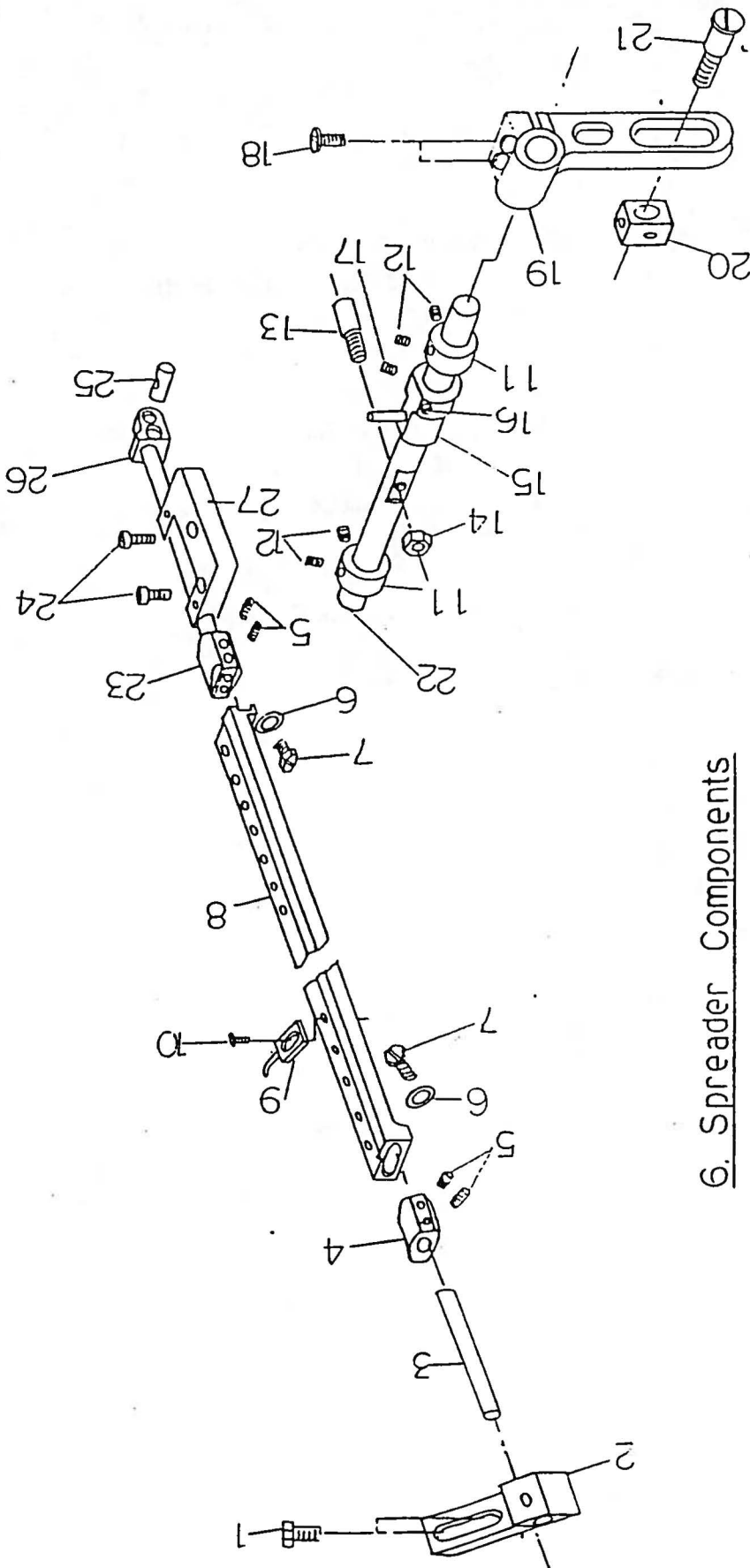
下シャフト機構



Part No.	Part Name	Quantity	Material	Notes
1	Pin	1	Steel	
2	Housing cap	1	Aluminum	
3	Pin	1	Steel	
4	Lever	1	Steel	
5	Housing cap	1	Aluminum	
6	Pin	1	Steel	
7	Pin	1	Steel	
8	Housing cap	1	Aluminum	
9	Housing cap	1	Aluminum	
10	Housing cap	1	Aluminum	
11	Lower shaft	1	Steel	
12	Housing cap	1	Aluminum	
13	Gear	1	Steel	
14	Gear housing	1	Aluminum	
15	Pin	1	Steel	
16	Pin	1	Steel	
17	Pin	1	Steel	
18	Pin	1	Steel	
19	Pin	1	Steel	
20	Gear housing	1	Aluminum	
21	Housing cap	1	Aluminum	
22	Pin	1	Steel	
23	Housing cap	1	Aluminum	
24	Housing cap	1	Aluminum	
25	Housing cap	1	Aluminum	
26	Pin	1	Steel	
27	Housing cap	1	Aluminum	
28	Pin	1	Steel	
29	Housing cap	1	Aluminum	
30	Housing cap	1	Aluminum	
31	Housing cap	1	Aluminum	
32	Housing cap	1	Aluminum	
33	Housing cap	1	Aluminum	
34	Housing cap	1	Aluminum	
35	Housing cap	1	Aluminum	
36	Housing cap	1	Aluminum	
37	Housing cap	1	Aluminum	
38	Housing cap	1	Aluminum	
39	Housing cap	1	Aluminum	
40	Housing cap	1	Aluminum	
41	Housing cap	1	Aluminum	
42	Housing cap	1	Aluminum	
43	Housing cap	1	Aluminum	
44	Housing cap	1	Aluminum	
45	Housing cap	1	Aluminum	
46	Housing cap	1	Aluminum	
47	Housing cap	1	Aluminum	
48	Housing cap	1	Aluminum	

REF. #	PART #	PART NAME	QT'Y
1	84-862	SCREW	1
2	32-421	LOOPER CRANK	1
3	83-160	SCREW	1
4	32-875	LOOPER CRANK OIL CAP SPRING	1
5	83-055	SCREW	2
6	85-111	SCREW	2
7	83-026	SCREW	1
8	32-400	FEEDER ECCENTRIC	1
9	32-962	FEEDER ECCENTRIC OILING PIN	1
10	32-101	FEEDER LIFTING ROD	1
11	33-216	LOWER MAIN SHAFT	1
12	32-960	LOWER MAIN SHAFT OIL ROD	1
13	34-448	BALL BEARING (6004ZNR)	1
14	33-454	LOWER TIMING PULLEY	1
15	83-153	SCREW	1
16	83-154	SCREW	1
17	32-807	OIL CAP SPRING (LARGE)	1
18	34-351	OIL CAP BALL VALVE	1
19	34-204	OIL CAP	1
20	34-825	BALL BEARING (6204ZZNR)	1
21	33-302	BEARING COLLAR	1
22	84-718	SCREW	1
23	34-808	NEEDLE BEARING (B-188)	1
24	33-405	DRIVE ROD	1
25	84-521	SCREW	1
26	84-591	SCREW	2
27	33-390	FEEDER LEVER	1
28	33-391	FEEDER LEVER PIN	1
29	33-434	SLIDE ECCENTRIC	1
30	33-942	SCREW SEAT CUSHION	2
31	32-476	SLIDE ECCENTRIC GUIDE	1
32	84-566	SCREW	2
33	84-521	SCREW	2
34	83-176	SCREW	1
35	83-175	SCREW	1

REF. #	PART #	PART NAME	QTY
36	32-475	SLIDE ECCENTRIC ADJUSTMENT DISC	1
37	32-825	SLIDE ECCENTRIC ADJUSTMENT DISC SPRING	1
38	33-414	SPREADER DRIVING ECCENTRIC	1
39	84-718	SCREW	2
40	32-282	SPREADER ECCENTRIC PIN	1
41	33-902	SPREADER DRIVE ROD WASHER	2
42	34-807	NEEDLE BEARING (B-168)	1
43	33-416	SPREADER DRIVE ROD BALL	1
44	33-415	SPREADER DRIVE ROD	1
45	84-171	SCREW	2
46	33-409	SPREADER DRIVING ECCENTRIC COLLAR	1
47	84-718	SCREW	2
48	33-953	COLLAR C	1



6. Spreader Components

スプレッダー機構

品名		数量		単位		備考	
1	ハンドル	1	個				
2	ブラケット	1	個				
3	シャフト	1	本				
4	ブラケット	1	個				
5	ネジ	1	本				
6	ベアリング	2	個				
7	ネジ	2	本				
8	シャフト	1	本				
9	ブラケット	1	個				
10	ネジ	1	本				
11	中央シャフト	1	本				
12	ギア	1	個				
13	ギア	1	個				
14	ギア	1	個				
15	ギア	1	個				
16	ギア	1	個				
17	シャフト	1	本				
18	ネジ	1	本				
19	ブラケット	1	個				
20	ブラケット	1	個				
21	ネジ	1	本				
22	ブラケット	1	個				
23	ブラケット	1	個				
24	ネジ	1	本				
25	ネジ	1	本				
26	ブラケット	1	個				
27	ブラケット	1	個				

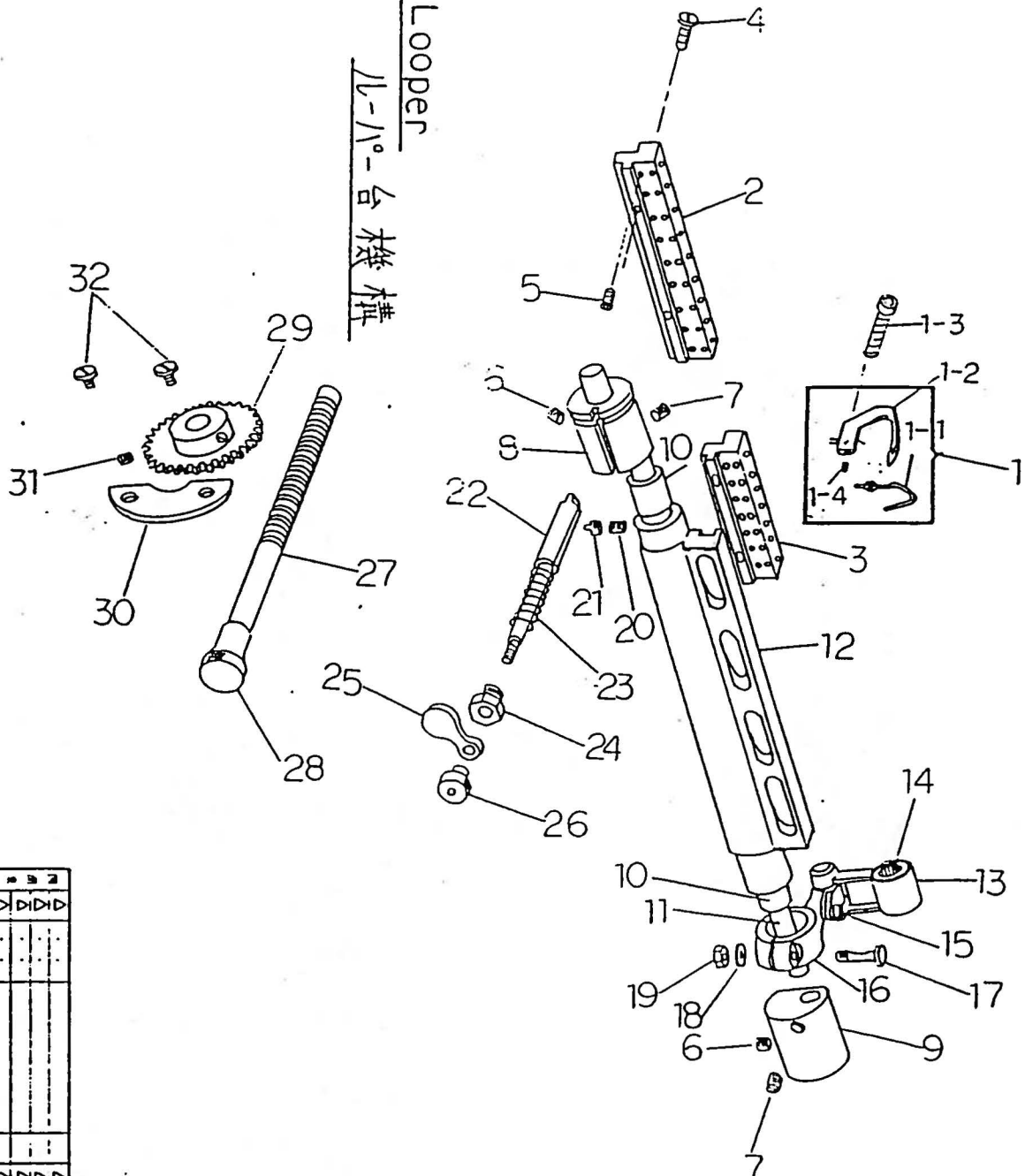
REF. #	PART #	PART NAME	QTY
1	84-812	SCREW	2
2	33-347	SPREADER SHAFT GUIDE A	1
3	33-346	SPREADER SHAFT A	1
4	33-345	SPREADER HOLDER MOUNTING BRACKET A	1
5	84-718	SCREW	4
6	75-453	WASHER	2
7	33-446	SCREW	2
8	33-250	SPREADER HOLDER	1
9	33-348	SPREADER	26
10	84-364	SCREW	26
11	75-112	COLLAR	2
12	84-512	SCREW	4
13	33-408	SPREADER DRIVE ROD CONNECTING PIN	1
14	88-176	NUT	1
15	33-341	SPREADER DRIVE CRANK	1
16	84-719	SCREW	1
17	84-718	SCREW	1
18	84-184	SCREW	2
19	33-295	LOOPER-THREAD TAKE-UP ROD ROCKING LEVER	1
20	33-297	ROCKING LEVER SLIDE	1
21	33-296	SCREW	1
22	33-381	SPREADER DRIVE SHAFT	1
23	33-344	SPREADER HOLDER MOUNTING BRACKET B	1
24	84-764	SCREW	2
25	33-342	SPREADER DRIVE LINK PIN	1
26	33-340	SPREADER SHAFT B	1
27	33-343	SPREADER SHAFT GUIDE B	1

REF. #	PART #	PART NAME	QTY
1	33-246	FEED ROCKER	2
2	33-247	FEEDER MOUNTING BRACKET	1
3	75-112	COLLAR	1
4	84-712	SCREW	2
5	84-511	SCREW	2
6	33-248	FEEDER MOUNTING BRACKET SHAFT	2
7	84-712	SCREW	1
8	75-112	COLLAR	1
9	84-511	SCREW	2
10	33-249	FEEDER SUPPORT BRACKET	1
11	33-900	WASHER	4
12	84-763	SCREW	4
13	84-564	SCREW	14
14	33-257	FEED DOG A	6
15	33-232	FEED DOG B	1
16	33-595	NEEDLE GUARD	26
17	84-161	SCREW	52
18	32-108	FEEDER LIFTING LINK	1
19	32-227	FEEDER LIFTING LINK PIN	2
20	33-951	COLLAR A	2
21	84-511	SCREW	4
22	83-150	SCREW	1
23	84-712	SCREW	1
24	32-109	FEEDER LIFTING LEVER	1
25	33-221	FEEDER DRIVE SHAFT	1
26	32-300	PIN	1
27	32-118	FEEDER ROCKING LEVER	1
28	86-501	NUT	1
29	84-719	SCREW	1
30	84-572	SCREW	2
31	34-321	E-CLIP	1
32	32-850	LOOPER SHAFT LOCKING PIN SPRING	1
33	33-807	SPRING ATTACHMENT PLATE	1
34	84-571	SCREW	2
35	88-176	NUT	2

REF. #	PART #	PART NAME	QT'Y
36	33-426	SCREW	2
37	33-220	FEED ROCKER SHAFT	1
38	33-810	LOOPER SHAFT LOCKING PIN	1
39	33-330	COLLAR	2

8. Loooper

儿-八°-台機構

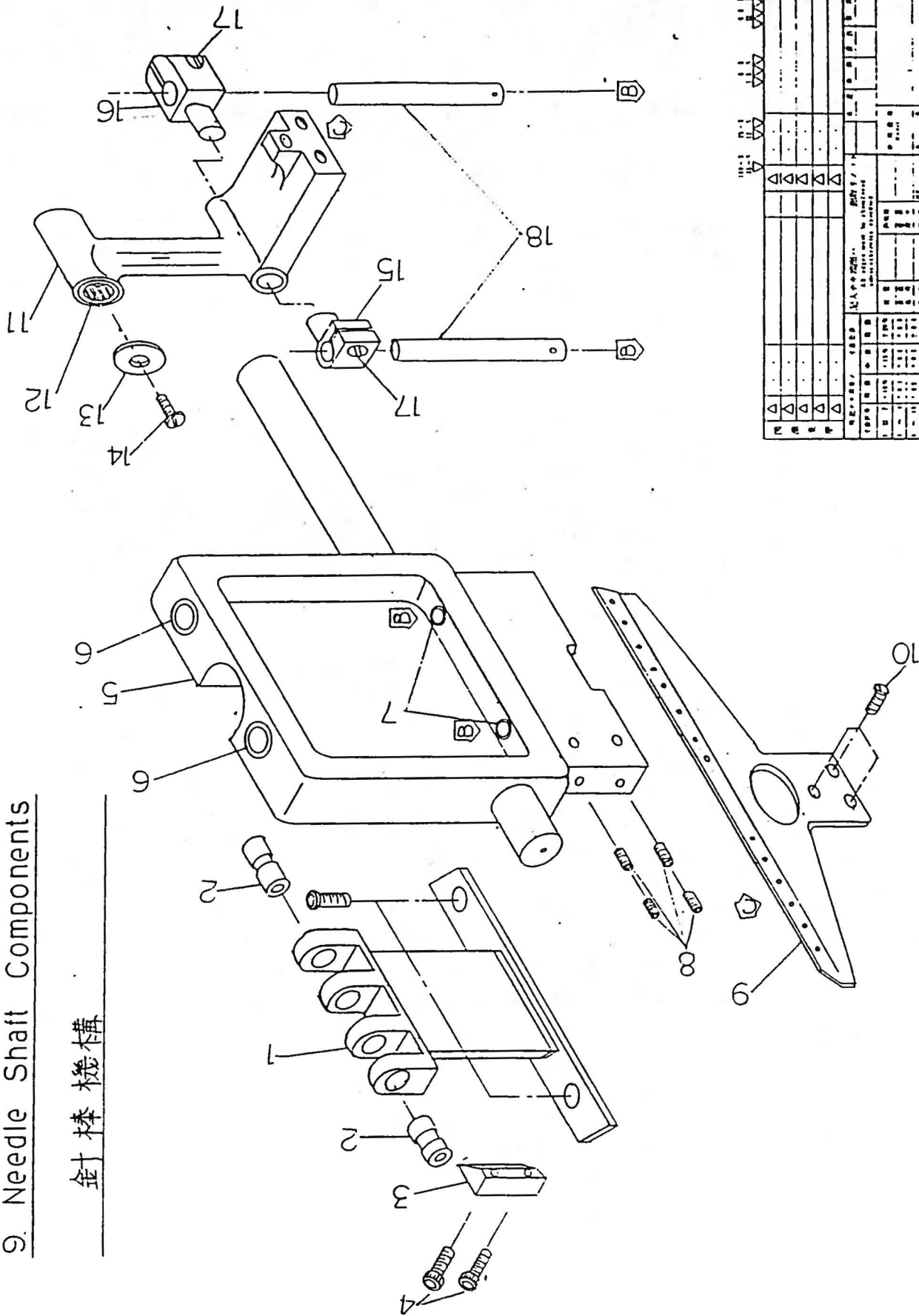


REPAIR PARTS LIST		REPAIR PARTS LIST		REPAIR PARTS LIST		REPAIR PARTS LIST		REPAIR PARTS LIST	
NO.	DESCRIPTION	QTY.	UNIT	NO.	DESCRIPTION	QTY.	UNIT	NO.	DESCRIPTION
1	Looper Head	1	PC	1	Looper Head	1	PC	1	Looper Head
2	Looper Body	1	PC	2	Looper Body	1	PC	2	Looper Body
3	Looper Foot	1	PC	3	Looper Foot	1	PC	3	Looper Foot
4	Looper Screw	1	PC	4	Looper Screw	1	PC	4	Looper Screw
5	Looper Pin	1	PC	5	Looper Pin	1	PC	5	Looper Pin
6	Looper Bush	1	PC	6	Looper Bush	1	PC	6	Looper Bush
7	Looper Cap	1	PC	7	Looper Cap	1	PC	7	Looper Cap
8	Looper Pin	1	PC	8	Looper Pin	1	PC	8	Looper Pin
9	Looper Housing	1	PC	9	Looper Housing	1	PC	9	Looper Housing
10	Looper Shaft	1	PC	10	Looper Shaft	1	PC	10	Looper Shaft
11	Looper Nut	1	PC	11	Looper Nut	1	PC	11	Looper Nut
12	Looper Frame	1	PC	12	Looper Frame	1	PC	12	Looper Frame
13	Looper Roller	1	PC	13	Looper Roller	1	PC	13	Looper Roller
14	Looper Roller	1	PC	14	Looper Roller	1	PC	14	Looper Roller
15	Looper Pin	1	PC	15	Looper Pin	1	PC	15	Looper Pin
16	Looper Pin	1	PC	16	Looper Pin	1	PC	16	Looper Pin
17	Looper Pin	1	PC	17	Looper Pin	1	PC	17	Looper Pin
18	Looper Pin	1	PC	18	Looper Pin	1	PC	18	Looper Pin
19	Looper Pin	1	PC	19	Looper Pin	1	PC	19	Looper Pin
20	Looper Pin	1	PC	20	Looper Pin	1	PC	20	Looper Pin
21	Looper Pin	1	PC	21	Looper Pin	1	PC	21	Looper Pin
22	Looper Pin	1	PC	22	Looper Pin	1	PC	22	Looper Pin
23	Looper Pin	1	PC	23	Looper Pin	1	PC	23	Looper Pin
24	Looper Pin	1	PC	24	Looper Pin	1	PC	24	Looper Pin
25	Looper Pin	1	PC	25	Looper Pin	1	PC	25	Looper Pin
26	Looper Pin	1	PC	26	Looper Pin	1	PC	26	Looper Pin
27	Looper Shaft	1	PC	27	Looper Shaft	1	PC	27	Looper Shaft
28	Looper Shaft	1	PC	28	Looper Shaft	1	PC	28	Looper Shaft
29	Looper Gear	1	PC	29	Looper Gear	1	PC	29	Looper Gear
30	Looper Gear	1	PC	30	Looper Gear	1	PC	30	Looper Gear
31	Looper Gear	1	PC	31	Looper Gear	1	PC	31	Looper Gear
32	Looper Gear	1	PC	32	Looper Gear	1	PC	32	Looper Gear

REF. #	PART #	PART NAME	QT'Y
	1	LOOPER (COMPLETE)	26
1-1	33-596	NEEDLE GUIDE	26
1-2	33-501	LOOPER	26
1-3	83-475	SCREW	26
1-4	83-476	SCREW	26
	2	LOOPER HOLDER	1
	3		
	4	33-812 SCREW	6
	5	84-164 SCREW	52
	6	85-213 SCREW	2
	7	85-113 SCREW	2
	8	33-217 LOOPER SHAFT BUSHING (LEFT)	1
	9	33-218 LOOPER SHAFT BUSHING (RIGHT)	1
10	34-827	NEEDLE BEARING (B-810)	2
11	33-219	LOOPER SHAFT	1
12	33-243	LOOPER HOLDER MOUNTING BRACKET	1
13	32-107	LOOPER SHAFT DRIVE ROD	1
14	34-802	NEEDLE BEARING (B-610)	1
15	84-367	SCREW	1
16	33-244	LOOPER SHAFT DRIVE LEVER	1
17	33-245	LOOPER SHAFT DRIVE LEVER SCREW PIN	1
18	75-381	WASHER	1
19	86-501	NUT	1
20	84-712	SCREW	1
21	84-721	SCREW	1
22	32-303	LOOPER SHAFT BUSHING (LEFT) LOCK PIN	1
23	32-806	LOCK PIN SPRING	1
24	34-205	LOCK PIN SCREW	1
25	33-800	LOCK PIN PULL TAB	1
26	86-312	NUT	1
27	32-016	LOOPER TAKE-DOWN ROD	1
28	33-290	LOOPER TAKE-DOWN ROD KNOB	1
29	33-600	LOOPER TAKE-DOWN GEAR	1
30	33-808	PLATE	1
31	84-718	SCREW	2
32	83-078	SCREW	2

9. Needle Shaft Components

針棒機構

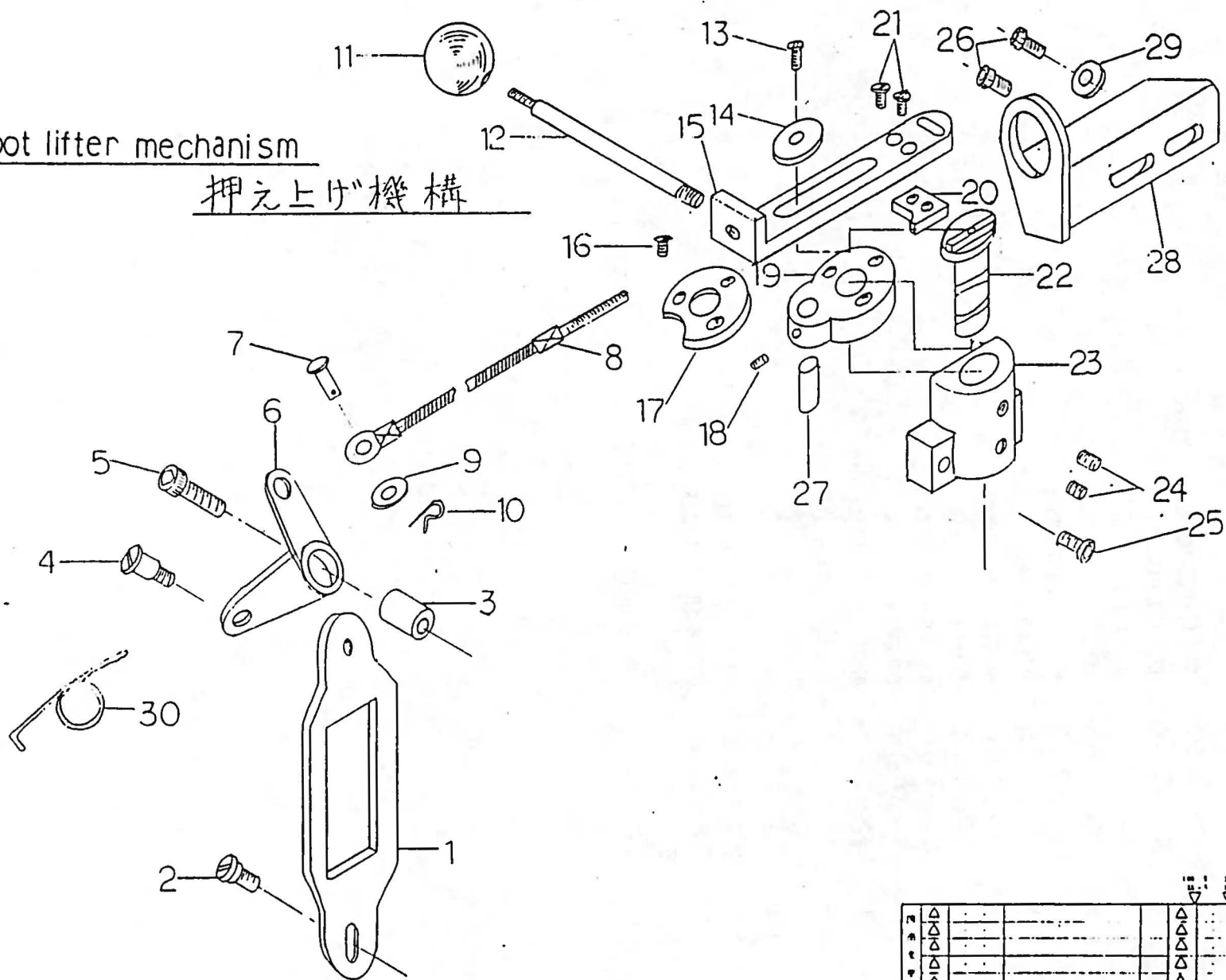


Part No.	Part Name	Material	Quantity	Remarks
1	Needle Bar	Steel	1	
2	Bush	Steel	2	
3	Needle	Steel	1	
4	Needle Thread Guide	Steel	1	
5	Needle Bar Support	Steel	1	
6	Needle Bar Guide	Steel	2	
7	Needle Bar Stop	Steel	1	
8	Needle Bar Stop	Steel	1	
9	Needle Bar Stop	Steel	1	
10	Needle Bar Stop	Steel	1	
11	Needle Bar Stop	Steel	1	
12	Needle Bar Stop	Steel	1	
13	Needle Bar Stop	Steel	1	
14	Needle Bar Stop	Steel	1	
15	Needle Bar Stop	Steel	1	
16	Needle Bar Stop	Steel	1	
17	Needle Bar Stop	Steel	1	
18	Needle Bar Stop	Steel	1	

REF. #	PART #	PART NAME	QTY
1	33-425	TOP FEEDER MOUNTING BRACKET	1
2	33-230	BRACKET PIN	2
3	33-449	BRACKET SLIDE GUIDE	1
4	87-182	SCREW	2
5	33-227	NEEDLE SHAFT FRAME	1
6	33-373	NEEDLE SHAFT BUSHING A	2
7	33-406	NEEDLE SHAFT BUSHING B	2
8	87-181	SCREW	4
9	33-460	NEEDLE SHAFT THREAD GUIDE	1
10	84-664	SCREW	3
11	33-226	NEEDLE SHAFT CRANK ROD	1
12	34-803	NEEDLE BEARING (BII-68)	2
13	33-901	WASHER	1
14	84-566	SCREW	1
15	33-308	NEEDLE SHAFT HOLDER (LEFT)	1
16	33-228	NEEDLE SHAFT HOLDER (RIGHT)	1
17	84-566	SCREW	2
18	33-431	NEEDLE SHAFT	2

10. Foot lifter mechanism

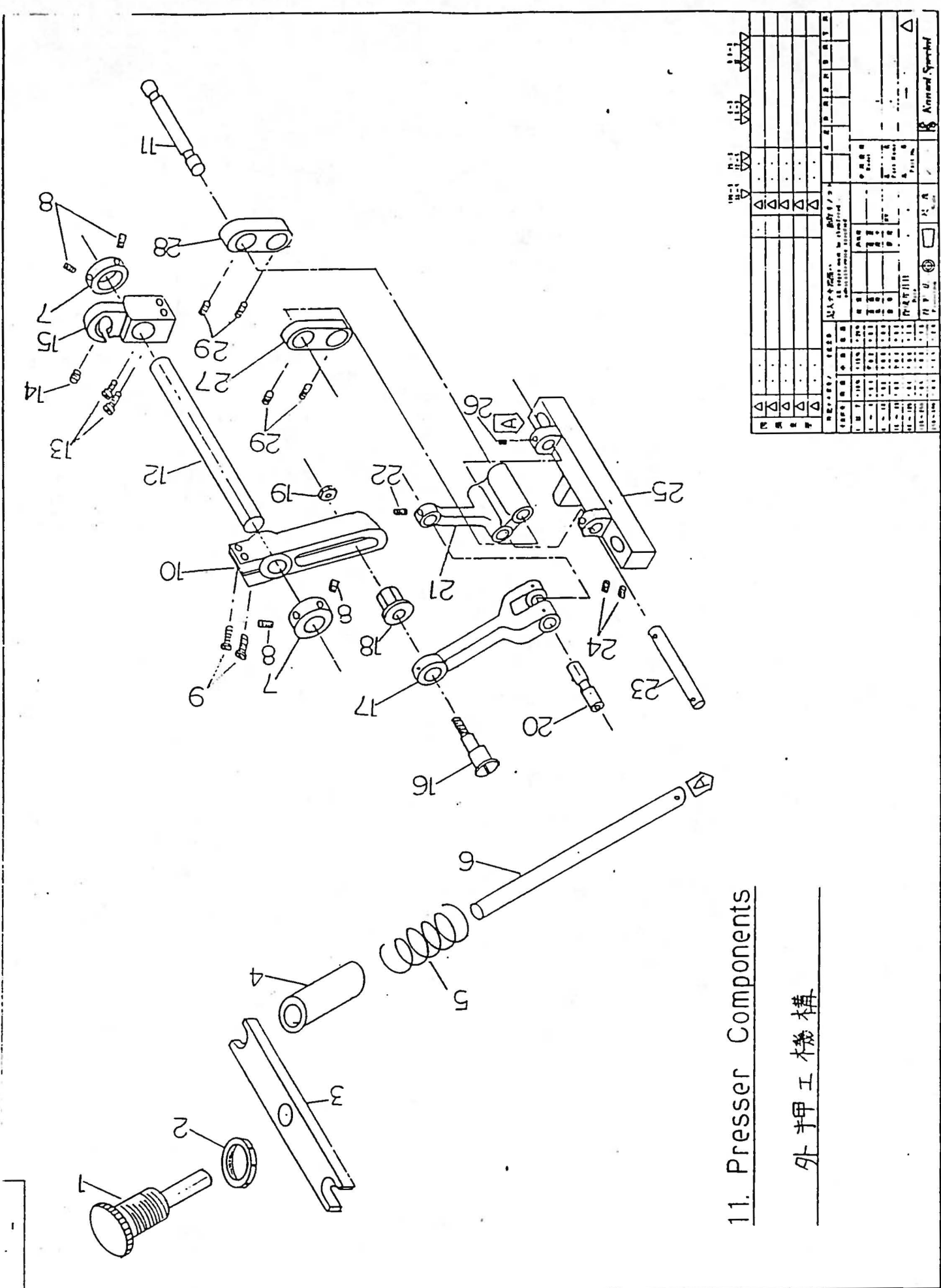
押え上げ機構



品名		数量		単位		仕様		備考	
1									
2									
3									
4									
5									
6									
7									
8									
9									
10									
11									
12									
13									
14									
15									
16									
17									
18									
19									
20									
21									
22									
23									
24									
25									
26									
27									
28									
29									
30									

Additional table with technical specifications and notes in Japanese and English.

REF. #	PART #	PART NAME	QT'Y
1	33-264	LIFTER CONNECTING PLATE	1
2	33-266	SCREW	1
3	33-267	BUSHING	1
4	33-265	SCREW	1
5	87-183	SCREW	1
6	33-268	LIFTER PLATE LEVER	1
7	33-437	LIFTER CABLE CONNECTING PIN	1
8	33-443	LIFTER CABLE	1
9	75-446	WASHER	1
10	93-611	SNAP PIN	1
11	33-281	HANDLE KNOB	1
12	33-282	HANDLE	1
13	84-566	SCREW	1
14	33-298	WASHER	1
15	33-279	LIFTER SLIDE BRACKET	1
16	84-374	SCREW	3
17	33-459	SPACER	1
18	84-521	SCREW	1
19	33-283	LIFTER CAM	1
20	33-278	LIFTER ECCENTRIC PLATE	1
21	84-571	SCREW	2
22	33-284	LIFTER PIVOT	1
23	33-285	LIFTER PIVOT BRACKET	1
24	84-718	SCREW	2
25	87-171	SCREW	2
26	84-171	SCREW	2
27	33-280	PIN	1
28	33-349	AIR CYLINDER BRACKET	1
29	75-446	WASHER	2
30	33-442	RETURN SPRING	1



11. Presser Components

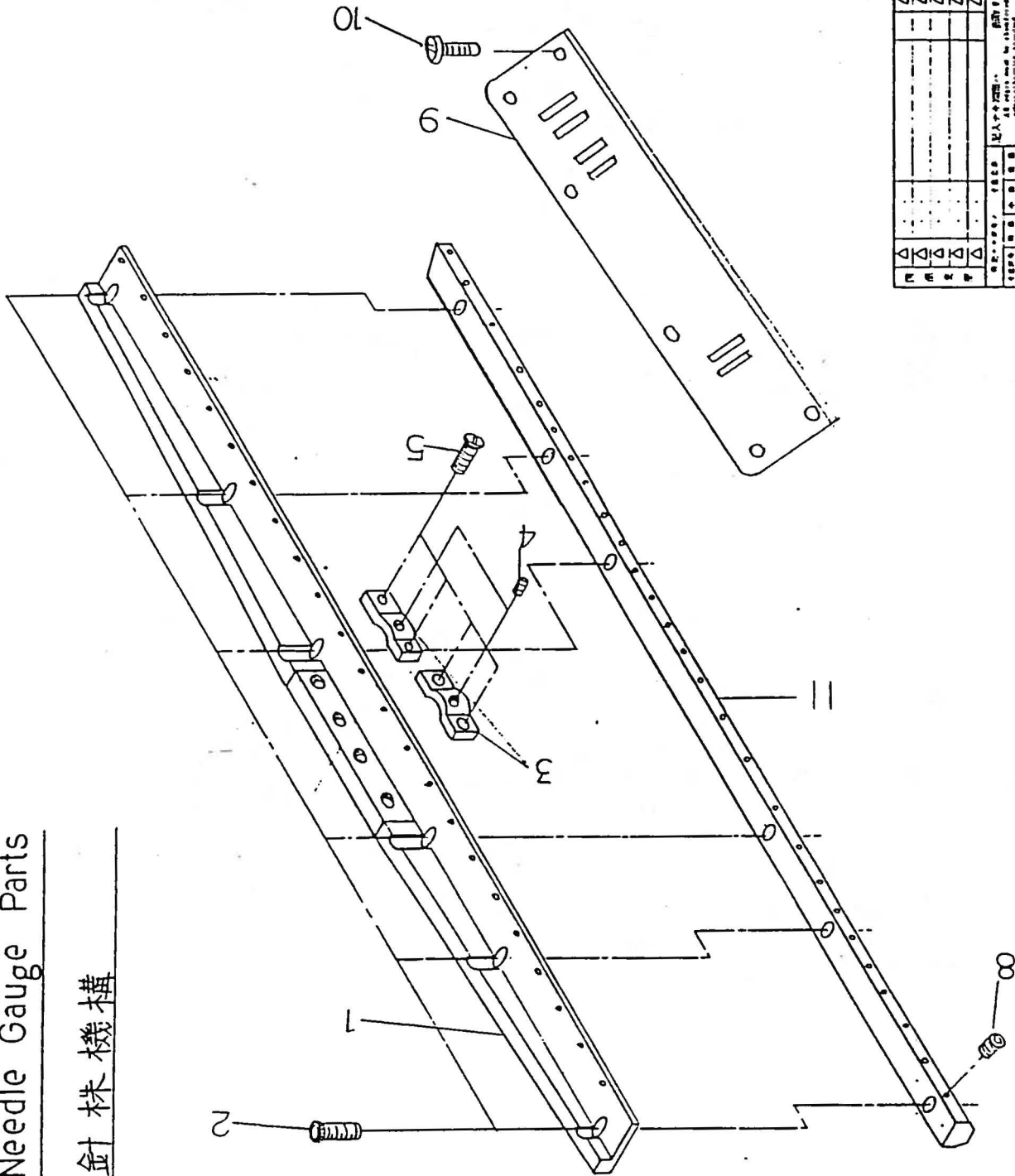
外押工機構

1	2	3	4	5	6	7	8	9	10	11	12	13	14	15	16	17	18	19	20	21	22	23	24	25	26	27	28	29	30	31	32	33	34	35	36	37	38	39	40	

REF. #	PART #	PART NAME	QTY
1	85-761	PRESSURE ADJUSTMENT SCREW	1
2	86-851	NUT	1
3	33-310	PRESSER PLATE	1
4	33-309	COLLAR	2
5	33-288	PRESSER SPRING	2
6	33-224	PRESSER SHAFT	2
7	33-951	COLLAR A	2
8	84-511	SCREW	4
9	85-627	SCREW	1
10	33-235	PRESSER LIFTING SHAFT LEVER (OUTER)	1
11	33-231	LINK PIN	1
12	33-234	PRESSER LIFTING SHAFT	1
13	33-445	SCREW	2
14	83-001	SCREW	1
15	32-106	PRESSER LIFTING SHAFT LEVER (INNER)	1
16	33-241	SCREW	1
17	33-240	CONNECTING ROD	1
18	33-242	COLLAR	1
19	75-411	NUT	1
20	33-239	CONNECTING ROD CONNECTING PIN	1
21	33-238	LIFTER ARM	1
22	84-521	SCREW	1
23	33-237	LIFTER ARM CONNECTING PIN	1
24	84-521	SCREW	4
25	33-236	PRESSER SHAFT HOLDER	1
26	84-521	SCREW	2
27	33-229	LIFTER ARM LINK (LEFT)	1
28	33-289	LIFTER ARM LINK (RIGHT)	1
29	84-521	SCREW	4

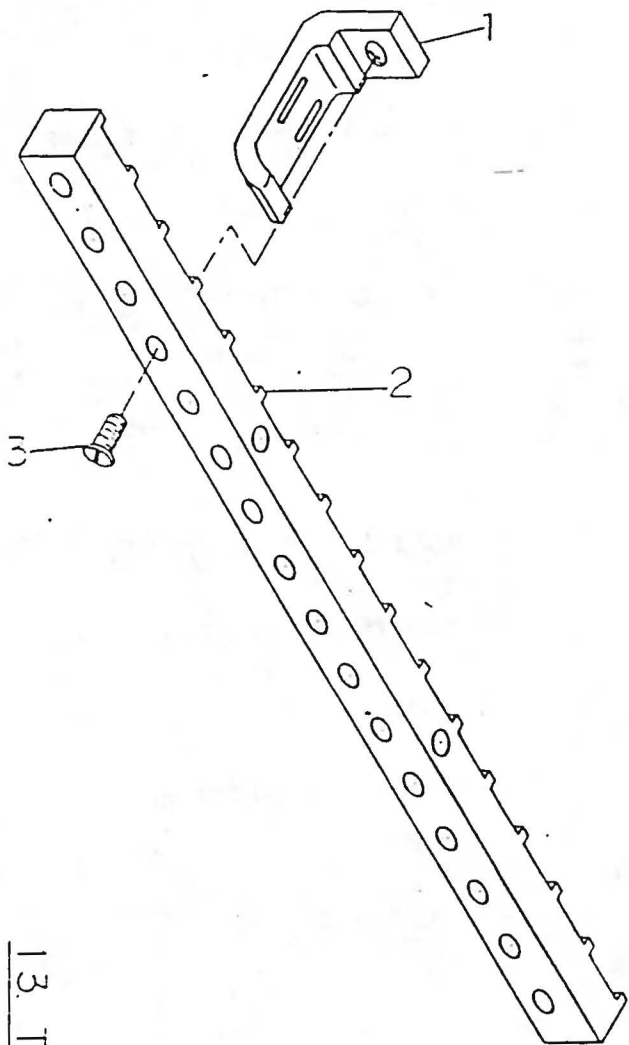
12. Needle Gauge Parts

針株機構



品名		規格		数量		備註	
針	1	1.0	1.0	1	1		
針座	2	1.0	1.0	1	1		
針板	3	1.0	1.0	1	1		
針架	4	1.0	1.0	1	1		
針座蓋	5	1.0	1.0	1	1		
針座蓋螺絲	6	1.0	1.0	1	1		
針座蓋墊圈	7	1.0	1.0	1	1		
針座蓋彈簧	8	1.0	1.0	1	1		
針座蓋螺絲	9	1.0	1.0	1	1		
針座蓋墊圈	10	1.0	1.0	1	1		
針座蓋彈簧	11	1.0	1.0	1	1		
針座蓋螺絲	12	1.0	1.0	1	1		
針座蓋墊圈	13	1.0	1.0	1	1		
針座蓋彈簧	14	1.0	1.0	1	1		
針座蓋螺絲	15	1.0	1.0	1	1		
針座蓋墊圈	16	1.0	1.0	1	1		
針座蓋彈簧	17	1.0	1.0	1	1		
針座蓋螺絲	18	1.0	1.0	1	1		
針座蓋墊圈	19	1.0	1.0	1	1		
針座蓋彈簧	20	1.0	1.0	1	1		
針座蓋螺絲	21	1.0	1.0	1	1		
針座蓋墊圈	22	1.0	1.0	1	1		
針座蓋彈簧	23	1.0	1.0	1	1		
針座蓋螺絲	24	1.0	1.0	1	1		
針座蓋墊圈	25	1.0	1.0	1	1		
針座蓋彈簧	26	1.0	1.0	1	1		
針座蓋螺絲	27	1.0	1.0	1	1		
針座蓋墊圈	28	1.0	1.0	1	1		
針座蓋彈簧	29	1.0	1.0	1	1		
針座蓋螺絲	30	1.0	1.0	1	1		
針座蓋墊圈	31	1.0	1.0	1	1		
針座蓋彈簧	32	1.0	1.0	1	1		
針座蓋螺絲	33	1.0	1.0	1	1		
針座蓋墊圈	34	1.0	1.0	1	1		
針座蓋彈簧	35	1.0	1.0	1	1		
針座蓋螺絲	36	1.0	1.0	1	1		
針座蓋墊圈	37	1.0	1.0	1	1		
針座蓋彈簧	38	1.0	1.0	1	1		
針座蓋螺絲	39	1.0	1.0	1	1		
針座蓋墊圈	40	1.0	1.0	1	1		
針座蓋彈簧	41	1.0	1.0	1	1		
針座蓋螺絲	42	1.0	1.0	1	1		
針座蓋墊圈	43	1.0	1.0	1	1		
針座蓋彈簧	44	1.0	1.0	1	1		
針座蓋螺絲	45	1.0	1.0	1	1		
針座蓋墊圈	46	1.0	1.0	1	1		
針座蓋彈簧	47	1.0	1.0	1	1		
針座蓋螺絲	48	1.0	1.0	1	1		
針座蓋墊圈	49	1.0	1.0	1	1		
針座蓋彈簧	50	1.0	1.0	1	1		
針座蓋螺絲	51	1.0	1.0	1	1		
針座蓋墊圈	52	1.0	1.0	1	1		
針座蓋彈簧	53	1.0	1.0	1	1		
針座蓋螺絲	54	1.0	1.0	1	1		
針座蓋墊圈	55	1.0	1.0	1	1		
針座蓋彈簧	56	1.0	1.0	1	1		
針座蓋螺絲	57	1.0	1.0	1	1		
針座蓋墊圈	58	1.0	1.0	1	1		
針座蓋彈簧	59	1.0	1.0	1	1		
針座蓋螺絲	60	1.0	1.0	1	1		
針座蓋墊圈	61	1.0	1.0	1	1		
針座蓋彈簧	62	1.0	1.0	1	1		
針座蓋螺絲	63	1.0	1.0	1	1		
針座蓋墊圈	64	1.0	1.0	1	1		
針座蓋彈簧	65	1.0	1.0	1	1		
針座蓋螺絲	66	1.0	1.0	1	1		
針座蓋墊圈	67	1.0	1.0	1	1		
針座蓋彈簧	68	1.0	1.0	1	1		
針座蓋螺絲	69	1.0	1.0	1	1		
針座蓋墊圈	70	1.0	1.0	1	1		
針座蓋彈簧	71	1.0	1.0	1	1		
針座蓋螺絲	72	1.0	1.0	1	1		
針座蓋墊圈	73	1.0	1.0	1	1		
針座蓋彈簧	74	1.0	1.0	1	1		
針座蓋螺絲	75	1.0	1.0	1	1		
針座蓋墊圈	76	1.0	1.0	1	1		
針座蓋彈簧	77	1.0	1.0	1	1		
針座蓋螺絲	78	1.0	1.0	1	1		
針座蓋墊圈	79	1.0	1.0	1	1		
針座蓋彈簧	80	1.0	1.0	1	1		
針座蓋螺絲	81	1.0	1.0	1	1		
針座蓋墊圈	82	1.0	1.0	1	1		
針座蓋彈簧	83	1.0	1.0	1	1		
針座蓋螺絲	84	1.0	1.0	1	1		
針座蓋墊圈	85	1.0	1.0	1	1		
針座蓋彈簧	86	1.0	1.0	1	1		
針座蓋螺絲	87	1.0	1.0	1	1		
針座蓋墊圈	88	1.0	1.0	1	1		
針座蓋彈簧	89	1.0	1.0	1	1		
針座蓋螺絲	90	1.0	1.0	1	1		
針座蓋墊圈	91	1.0	1.0	1	1		
針座蓋彈簧	92	1.0	1.0	1	1		
針座蓋螺絲	93	1.0	1.0	1	1		
針座蓋墊圈	94	1.0	1.0	1	1		
針座蓋彈簧	95	1.0	1.0	1	1		
針座蓋螺絲	96	1.0	1.0	1	1		
針座蓋墊圈	97	1.0	1.0	1	1		
針座蓋彈簧	98	1.0	1.0	1	1		
針座蓋螺絲	99	1.0	1.0	1	1		
針座蓋墊圈	100	1.0	1.0	1	1		

REF. #	PART #	PART NAME	QT'Y
1	33-432	NEEDLE CLAMP BRACKET	1
2	84-591	SCREW	6
3	33-430	NEEDLE SHAFT CLAMP	2
4	84-512	SCREW	2
5	84-615	SCREW	4
6			
7			
8	84-314	NEEDLE SET SCREW	26
9	33-256	NEEDLE PLATE	1
10	84-564	SCREW	6
11	33-461	NEEDLE CLAMP	1

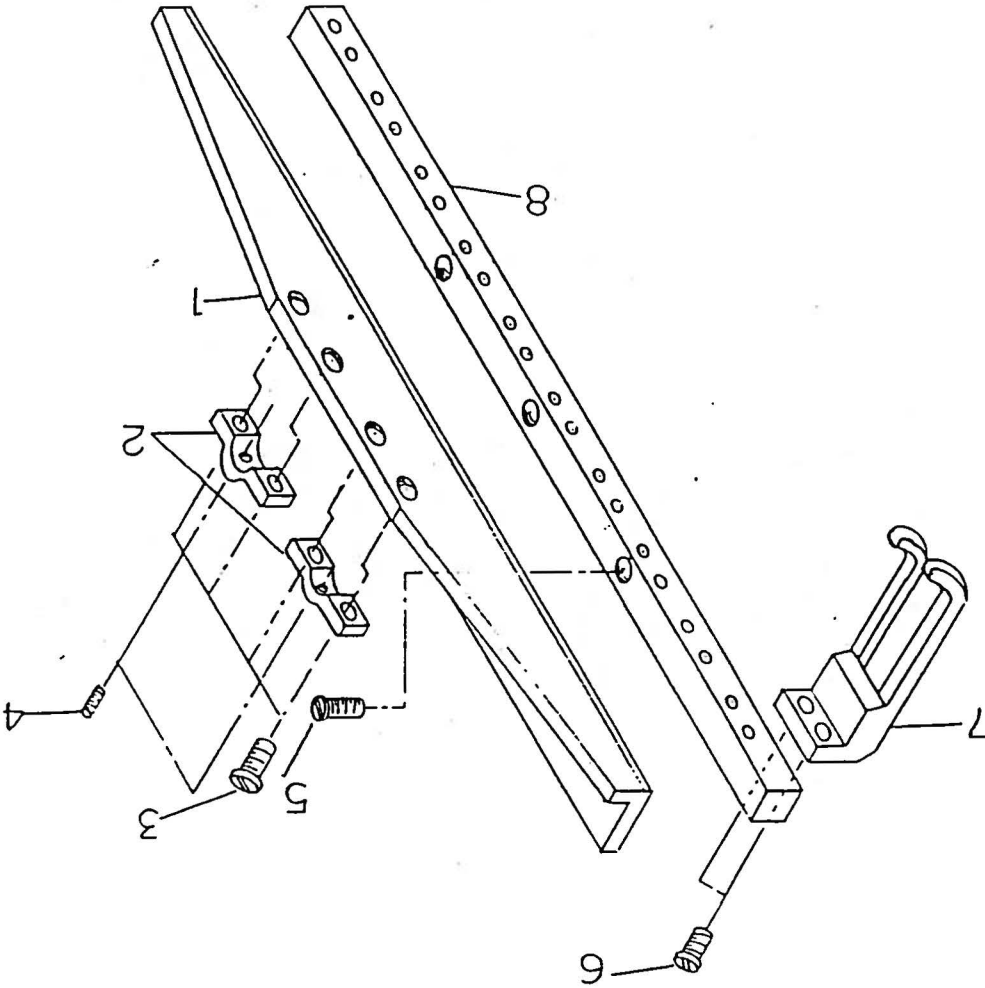


1.3. Top Feeder

中押工機構

品名	規格	数量	単位	備註
中押工	1.3.1	1	個	
中押工	1.3.2	1	個	
中押工	1.3.3	1	個	
中押工	1.3.4	1	個	
中押工	1.3.5	1	個	
中押工	1.3.6	1	個	
中押工	1.3.7	1	個	
中押工	1.3.8	1	個	
中押工	1.3.9	1	個	
中押工	1.3.10	1	個	
中押工	1.3.11	1	個	
中押工	1.3.12	1	個	
中押工	1.3.13	1	個	
中押工	1.3.14	1	個	
中押工	1.3.15	1	個	
中押工	1.3.16	1	個	
中押工	1.3.17	1	個	
中押工	1.3.18	1	個	
中押工	1.3.19	1	個	
中押工	1.3.20	1	個	
中押工	1.3.21	1	個	
中押工	1.3.22	1	個	
中押工	1.3.23	1	個	
中押工	1.3.24	1	個	
中押工	1.3.25	1	個	
中押工	1.3.26	1	個	
中押工	1.3.27	1	個	
中押工	1.3.28	1	個	
中押工	1.3.29	1	個	
中押工	1.3.30	1	個	
中押工	1.3.31	1	個	
中押工	1.3.32	1	個	
中押工	1.3.33	1	個	
中押工	1.3.34	1	個	
中押工	1.3.35	1	個	
中押工	1.3.36	1	個	
中押工	1.3.37	1	個	
中押工	1.3.38	1	個	
中押工	1.3.39	1	個	
中押工	1.3.40	1	個	
中押工	1.3.41	1	個	
中押工	1.3.42	1	個	
中押工	1.3.43	1	個	
中押工	1.3.44	1	個	
中押工	1.3.45	1	個	
中押工	1.3.46	1	個	
中押工	1.3.47	1	個	
中押工	1.3.48	1	個	
中押工	1.3.49	1	個	
中押工	1.3.50	1	個	
中押工	1.3.51	1	個	
中押工	1.3.52	1	個	
中押工	1.3.53	1	個	
中押工	1.3.54	1	個	
中押工	1.3.55	1	個	
中押工	1.3.56	1	個	
中押工	1.3.57	1	個	
中押工	1.3.58	1	個	
中押工	1.3.59	1	個	
中押工	1.3.60	1	個	
中押工	1.3.61	1	個	
中押工	1.3.62	1	個	
中押工	1.3.63	1	個	
中押工	1.3.64	1	個	
中押工	1.3.65	1	個	
中押工	1.3.66	1	個	
中押工	1.3.67	1	個	
中押工	1.3.68	1	個	
中押工	1.3.69	1	個	
中押工	1.3.70	1	個	
中押工	1.3.71	1	個	
中押工	1.3.72	1	個	
中押工	1.3.73	1	個	
中押工	1.3.74	1	個	
中押工	1.3.75	1	個	
中押工	1.3.76	1	個	
中押工	1.3.77	1	個	
中押工	1.3.78	1	個	
中押工	1.3.79	1	個	
中押工	1.3.80	1	個	
中押工	1.3.81	1	個	
中押工	1.3.82	1	個	
中押工	1.3.83	1	個	
中押工	1.3.84	1	個	
中押工	1.3.85	1	個	
中押工	1.3.86	1	個	
中押工	1.3.87	1	個	
中押工	1.3.88	1	個	
中押工	1.3.89	1	個	
中押工	1.3.90	1	個	
中押工	1.3.91	1	個	
中押工	1.3.92	1	個	
中押工	1.3.93	1	個	
中押工	1.3.94	1	個	
中押工	1.3.95	1	個	
中押工	1.3.96	1	個	
中押工	1.3.97	1	個	
中押工	1.3.98	1	個	
中押工	1.3.99	1	個	
中押工	1.3.100	1	個	

REF. #	PART #	PART NAME	QT'Y
1	33-254	TOP FEEDER	13
2	33-353	TOP FEEDER SUPPORT BRACKET	1
3	84-566	SCREW	13



14. Presser Foot

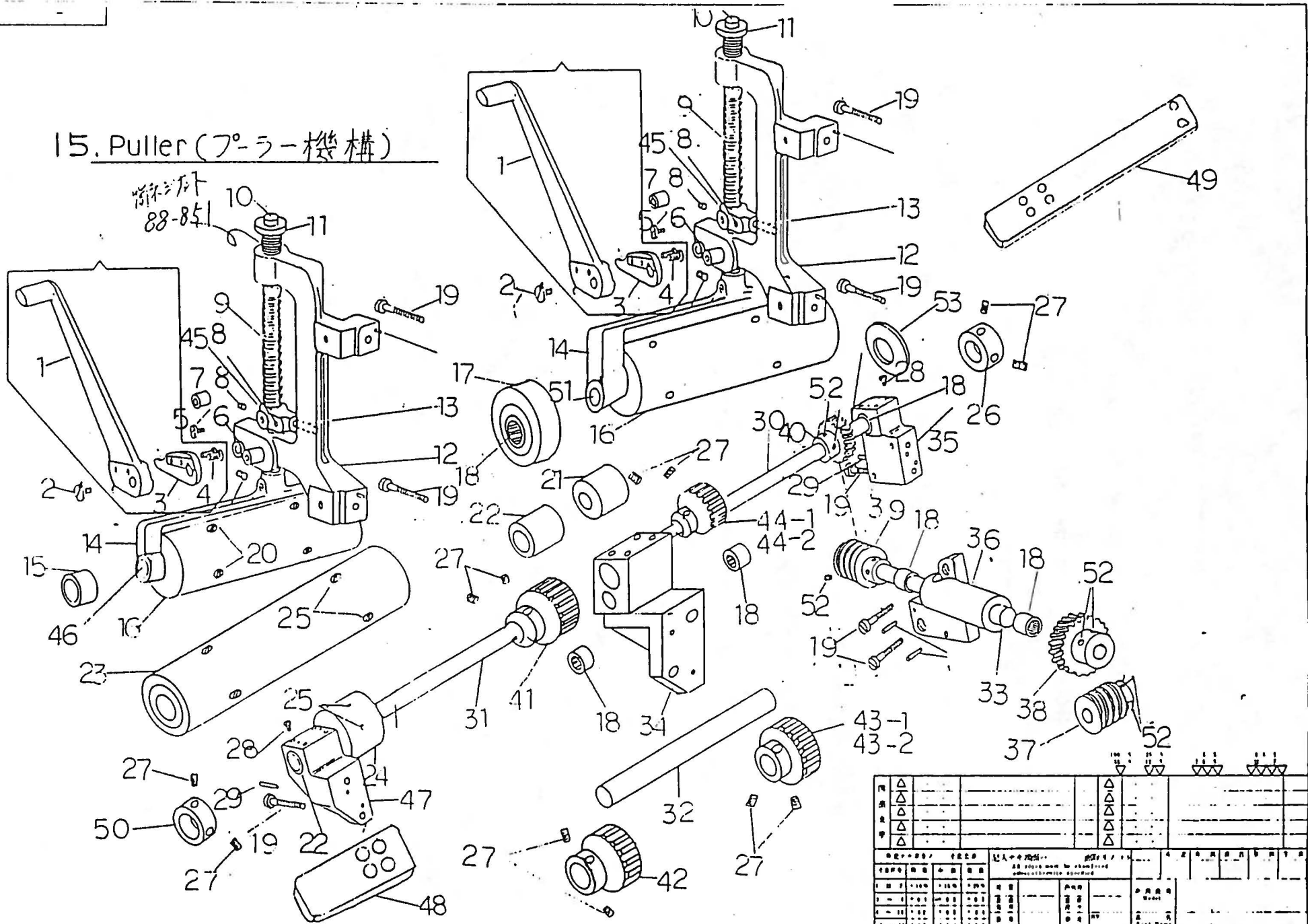
外押工機構

材料		数量		備註	
△	1	1	1	△	1
△	2	1	1	△	1
△	3	1	1	△	1
△	4	1	1	△	1
△	5	1	1	△	1
△	6	1	1	△	1
△	7	1	1	△	1
△	8	1	1	△	1
全機台組立時、この部品は、必ずしも必要ではない。 All parts are not required when assembling the whole machine.					
組立順序: 1 → 2 → 3 → 4 → 5 → 6 → 7 → 8					
部品名: 外押工機構					
図面番: 14					
製図:					
検査:					
承認:					
製造:					
備考:					
規格:					
公差:					
単位: mm					
材料:					
仕様:					
備考:					
承認:					
製造:					
検査:					
組立:					
出荷:					

REF. #	PART #	PART NAME	QTY
1	33-352	PRESSER MOUNTING BRACKET	1
2	33-430	PRESSER SHAFT CLAMP	2
3	84-615	SCREW	4
4	84-512	SCREW	2
5	84-812	SCREW	3
6	84-566	SCREW	26
7	33-255	PRESSER FOOT	13
8	33-427	PRESSER FOOT SUPPORT BRACKET	1

15. Puller (プーラー機構)

88-851



品名	プーラー機構	品番	88-851	材料	鋼	寸法	100×50×10	重量	0.5	備考	
用途	縫紉機用	メーカー	東洋	規格	JIS	公差	±0.05	検査	100%	特記	
製造	日本	組立	東京	表面	黒色	塗装	なし	保管	乾燥	注意	
納入	毎月	数量	1000	単位	個	包装	10個	送料	別	備考	
納入	毎月	数量	1000	単位	個	包装	10個	送料	別	備考	
納入	毎月	数量	1000	単位	個	包装	10個	送料	別	備考	
納入	毎月	数量	1000	単位	個	包装	10個	送料	別	備考	
納入	毎月	数量	1000	単位	個	包装	10個	送料	別	備考	
納入	毎月	数量	1000	単位	個	包装	10個	送料	別	備考	
納入	毎月	数量	1000	単位	個	包装	10個	送料	別	備考	

REF. #	PART #	PART NAME	QTY
1	33-413	UPPER ROLLER LEVER	2
2	WX-056	SCREW	2
3	WX-018	UPPER ROLLER ECCENTRIC PLATE	2
4	84-761	SCREW	4
5	WX-023	GUIDE ROLLER SCREW	2
6	WX-057	STOP PIN	2
7	WX-022	GUIDE ROLLER	2
8	85-113	SCREW	4
9	WX-045	UPPER ROLLER PRESSURE SPRING	2
10	WX-017	UPPER ROLLER PRESSURE SHAFT	2
11	WX-031	PRESSURE ADJUSTMENT SCREW	2
12	33-206	UPPER ROLLER MOUNTING BRACKET	2
13	33-411	GUIDE PIN	2
14	33-207	UPPER ROLLER SUPPORT BRACKET	2
15	33-361	UPPER ROLLER BUSHING	4
16	33-326	UPPER ROLLER (LARGE)	2
17	33-328	UPPER ROLLER (SMALL)	1
18	34-827	NEEDLE BEARING (B-810)	7
19	87-611	SCREW	14
20	84-718	SCREW	8
21	33-433	LOWER ROLLER BUSHING A	1
22	33-360	LOWER ROLLER BUSHING B	3
23	33-325	LOWER ROLLER (LARGE)	2
24	33-327	LOWER ROLLER (SMALL)	1
25	84-718	SCREW	10
26	WX-013	COLLAR	1
27	84-718	SCREW	12
28	84-763	SCREW	10
29	WX-079	BRACKET SETTING PIN	6
30	33-321	UPPER GEAR SHAFT	1
31	33-319	LOWER ROLLER SHAFT	1
32	33-322	LOWER GEAR SHAFT	1
33	33-320	WORM GEAR SHAFT	1
34	33-210	LOWER ROLLER BRACKET B	1
35	33-208	UPPER GEAR SHAFT BRACKET	1

